



芯高科技  
HIGH TECH  
TECHNOLOGY LIMITED

# HTT-Empower 2A2C, 4-Port HUBS Solution



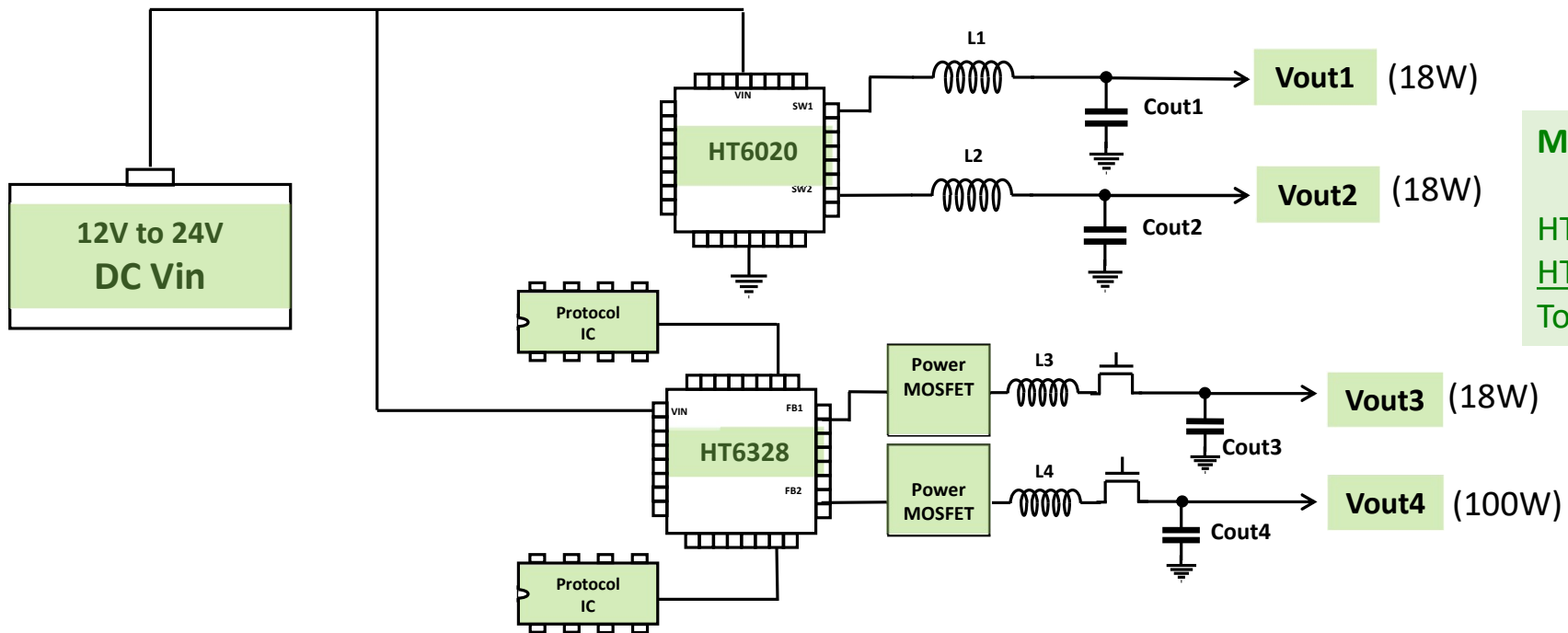
Rev: Oct 2021

2021/10/29 Internal Use Only

這個文件內所有信息、產品圖片和顯示內容僅供參考。實際產品功能、成本和規格等（包括但不限於外觀、顏色和尺寸）以及實際顯示內容（包括但不限於背景、UI和圖標）可能會因時間及實際情況有所差異。這個文件內所有數據及比較是在特定情況下對比市面部份同類產品，均為內部實驗室通過特定條件下進行的測試獲得的理論值，如實際充電時間及快充模式兼容性等延遲可能因客觀環境而變化，所有結果會因此出現差異。由於個別產品、軟件版本、應用條件和環境因素的差異，實際數據可能會有不同。所有數據因實際使用而有所不同。受條款及細則約束，請參閱上述產品詳細規格。有關更多信息、文件內容、產品信息、價格等如有更改，恕不另行通知。  
All data, images and content in this document are for reference only. Actual function, cost and specification etc. (included but not limited to appearance, color and size) as well as content shown (included but not limited to background, UI and icons) may be subjected to changes according to time and actual situation. All data included in this document are compared with market products under specific circumstances. Theoretical values were attained by test under specific conditions at internal laboratory. For example, actual charging time and compatibility of Fast Charging Protocol are subjected to changes under different conditions, thus may leading to differ in results. Different software updates, application conditions and environment factor in individual product may lead to differ in experimental results. All data may differ from actual application and subjected to terms and conditions, please refer to details and specifications herein. We reserve the right to make changes at any time, of any products or specifications herein, without further notice.



# HTT Solution 2A2C, 4-Port : 100W(Type-C) +18W(Type-C) +18W(Type-A)+18W(Type-A)



**Major HTT ICs:**  
HT6020 X 1  
HT6328 X 1  
Total = 2 ICs

## DISCLAIMER

這個文件內所有信息、產品圖片和顯示內容僅供參考。實際產品功能、成本和規格等（包括但不限於外觀、顏色和尺寸）以及實際顯示內容（包括但不限於背景、UI和圖標）可能會因時間及實際情況有所差異。這個文件內所有數據及比較是在特定情況下對比市面部份同類產品，均為內部實驗室通過特定條件下進行的測試獲得的理論值，如實際充電時間及快充模式兼容性等是可能因客觀環境而變化，所有結果會因此出現差異。由於個別產品、軟件版本、應用條件和環境因素的差異，實際數據可能會有不同。所有數據因實際使用而有所不同。受條款及細則約束，請參閱上述產品詳細規格，有關更多信息、文件內容、產品信息、價格等如有更改，恕不另行通知。  
All data, images and content in this document are for reference only. Actual function, cost and specification etc. (included but not limited to appearance, color and size) as well as content shown (included but not limited to background, UI and icons) may be subjected to changes according to time and actual situation. All data included in this document are compared with market products under specific circumstances. Theoretical values were attained by test under specific conditions at internal laboratory. For example, actual charging time and compatibility of Fast Charging Protocol are subjected to changes under different conditions, thus may leading to differ in results. Different software updates, application conditions and environment factor in individual product may lead to differ in experimental results. All data may differ from actual application and subjected to terms and conditions, please refer to details and specifications herein. We reserve the right to make changes at any time, of any products or specifications herein, without further notice.

# Preliminary BOM



芯高科技  
HIGH TECH  
TECHNOLOGY LIMITED

**BOM  
associated  
with HT6328  
for Type-C  
100W+18W**

RefDes	Name	Value	Quantity
C11, C12, C23, C24	CAP_0603	330p	4
C6, C18	CAP_0603	1n	2
C1, C13	CAP_0603	8.2n	2
C25, C26	CAP_0603	100n	2
C2, C14	CAP_0603	470n	2
C4, C5, C7, C10, C16, C17, C19, C22, C28, C29, C30	CAP_0603	1u	11
C27	CAP_0805	4.7u	1
C3, C15	100uF 35V 3.5/8.5h12	100u	2
C8, C9, C20, C21	330uF 35V 5/10x13	100u	4
D1, D2, D4, D5	BAS316	BAS316	4
D3, D6	SMA	SS34A	2
J1	P2/2.54	Vin	1
J3	Type-C-16p	Out1	1
J5	P2/2.54	GND	1
J6	Type-C-16p	Out2	1
L1, L2	17mm_H	22u	2
M1, M5	PMOS_PDFN3333	Nil	2
M2, M6	PMOS_PDFN3333	SIS27DN	2
M3, M4, M7, M8	NMOS_PDFN3333	RUH4040	4
R35, R36	RES_0603	0	2
R2, R10, R19, R27	RES_0603	9R1	4
R16, R33	RES_0603	15	2
R11, R12, R13, R14, R28, R29, R30, R31	RES_0603	22	8
R9, R26	RES_0603	510	2
R3, R5, R6, R20, R22, R23	RES_0603	1k	6
R1, R8, R18, R25	RES_0603	10k	4
R39	RES_0603	13k	1
R40	RES_0603	33k	1
R37	RES_0603	75k	1
R38	RES_0603	82k	1
R4, R15, R21, R32	RES_0603	100k	4
R41, R42	RES_0603	Nil	2
R7, R17, R24, R34	RES_1206	5m	4
U1	HUSB350	HUSB350 (100W)	1
U2	HUSB350	HUSB350( 100W)	1
U3	HT6328	HT6328	1

RefDes	Value	Name
C1	10u	CAP_1206
C2	4.7u	CAP_0805
C3	150u/25V	E-Cap 2.5/6.3
C4	100u/35V	E-Cap 2.5/6.3
C5	100n	CAP_0603
C6	1u	CAP_0603
C7	100n	CAP_0603
C8	4.7u	CAP_0805
C9	150u/25v	E-Cap 2.5/6.3
C10	10u	CAP_1206
C11	100u/35V	E-Cap 2.5/6.3
D1	SS34A	SMA
D2	SS34A	SMA
D3	3mm Round	LED-3R_Red
F1		FUSE
HS1		HS_9*9
J1		USB_F
J2		USB_F
L1		47uH
L2		47uH
R2	47k	RES_0603
R5	22k	RES_0603
R6	82k	RES_0603
R7		33 RES_0603
R8		33 RES_0603
R9		33 RES_0603
R10		33 RES_0603
U1		HT6020

**BOM  
associated  
with HT6020  
for Type-A  
18W+18W**

## DISCLAIMER

這個文件內所有信息、產品圖片和顯示內容僅供參考。實際產品功能、成本和規格等（包括但不限於外觀、顏色和尺寸）以及實際顯示內容（包括但不限於背景、UI和圖標）可能會因時間及實際情況有所差異。這個文件內所有數據及比較是在特定情況下對比市面部份同類產品，均為內部實驗室通過特定條件下進行的測試獲得的理論值，如實際充電時間及快充模式兼容性等是可能因客觀環境而變化，所有結果會因此出現差異。由於個別產品、軟件版本、應用條件和環境因素的差異，實際數據可能會有不同。受條款及細則約束，請參閱上述產品詳細規格，有關更多信息、文件內容、產品信息、價格等如有更改，恕不另行通知。  
All data, images and content in this document are for reference only. Actual function, cost and specification etc. (included but not limited to appearance, color and size) as well as content shown (included but not limited to background, UI and icons) may be subjected to changes according to time and actual situation. All data included in this document are compared with market products under specific circumstances. Theoretical values were obtained by test under specific conditions at internal laboratory. For example, actual charging time and compatibility of Fast Charging Protocol are subjected to changes under different conditions, thus may leading to differ in results. Different software updates, application conditions and environment factor in individual product may lead to differ in experimental results. All data may differ from actual application and subjected to terms and conditions, please refer to details and specifications herein. We reserve the right to make changes at any time, of any products or specifications herein, without further notice.



芯高科技  
HIGH TECH  
TECHNOLOGY LIMITED

# 芯度技術 高度品質

用「芯」為您創出科技高峰  
hightt.com

聯絡我們 Contact Us (Hong Kong Office)

Tel: (852) 36195375  
Email: sales@hightt.com

Address: Unit 713, 7/F, 12W, 12 Science Park West Avenue,  
Hong Kong Science Park, Shatin, Hong Kong

WhatsApp



微信 WeChat



## DISCLAIMER

這個文件內所有信息、產品圖片和顯示內容僅供參考。實際產品功能、成本和規格等（包括但不限於外觀、顏色和尺寸）以及實際顯示內容（包括但不限於背景、UI和圖標）可能會因時間及實際情況有所差異。這個文件內所有數據及比較是在特定情況下對比市面部份同類產品。均為內部實驗室通過特定條件下進行的測試獲得的理論值。如實際充電時間及快充模式兼容性等是可能因客觀環境而變化。所有結果會因此出現差異。由於個別產品、軟件版本、應用條件和環境因素的差異，實際數據可能會有不同。所有數據因實際使用而有所不同。受條款及細則約束。請參閱上述產品詳細規格。有關更多信息、文件內容、產品信息、價格等如有更改，恕不另行通知。  
All data, images and content in this document are for reference only. Actual function, cost and specification etc. (included but not limited to appearance, color and size) as well as content shown (included but not limited to background, UI and icons) may subjected to changes according to time and actual situation. All data included in this document are compared with market products under specific circumstances. Theoretical values were attained by test under specific conditions at internal laboratory. For example, actual charging time and compatibility of Fast Charging Protocol are subjected to changes under different conditions, thus may leading to differ in results. Different software updates, application conditions and environment factor in individual product may lead to differ in experimental results. All data may differ from actual application and subjected to terms and conditions, please refer to details and specifications herein. We reserve the right to make changes at any time, of any products or specifications herein, without further notice.