



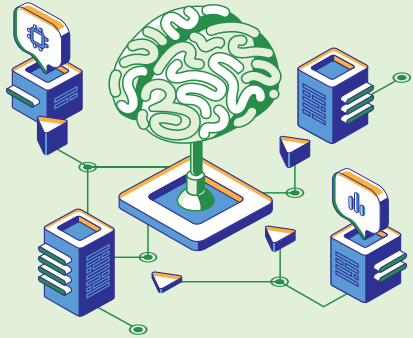
# RGB LED Car lamp Solutions

Provided by

High Tech Technology Limited

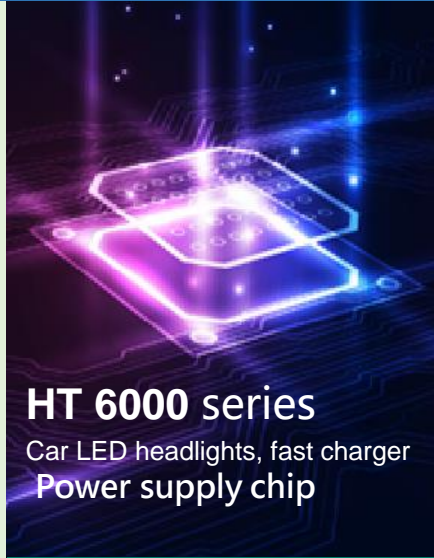
# HTT芯高 KEY PRODUCTS

## DC-DC



**HT 3000 series**  
AloT & Smart Home  
Power supply chip

- **I<sup>2</sup>C** Digital control, realize inductive network management
- Internet of Things, intelligent electronic control management, QC power supply



**HT 6000 series**  
Car LED headlights, fast charger  
Power supply chip

- **Single-chip Dual-channel output**
- Independent **QC3.0** fast charging, supported in power supply and charging base



**HT 7000 series**  
Car LED headlights, fast charger  
Power supply chip

- Multi-function single-chip **high-frequency** dual-channel output
- With **independent QC3.0** fast charging, it is widely used

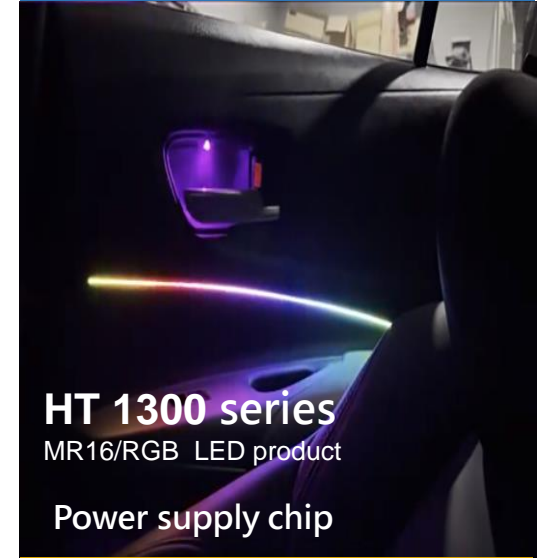
## USB-C



**HT 5000 series**  
USB-C / PD, QCFast charging  
Protocol powered chip

- Cooperate with famous high-performance electronic component suppliers in the US
- Recognize USB-PD3.0 fast charger, green energy, reduce costs

## RGB-LED



**HT 1300 series**  
MR16/RGB LED product  
Power supply chip

- High performance **analog and digital** dimming mode
- Music sensor lights, interior mood lights, head/tail lights

# Introduction to HTT ICs and LED applications

## HT6000 Series

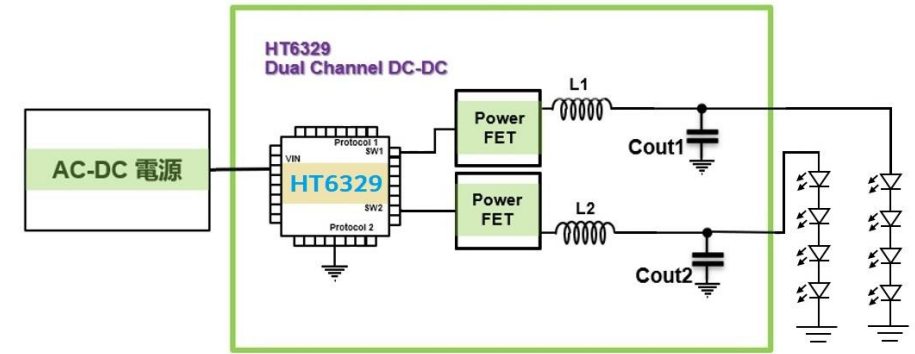
High efficiency, external MOSFET dual buck DC-DC controller

- Input voltage : 5V~36V.
- External MOSFET.
- Selectable switching frequency
  - › 150kHz , 250kHz , 350kHz
- Support CC/CV mode.
- Soft start.
- EMI dithering (patent granted).

**HT6329**

Both channel controlled by external feedback. Combine mode to double driving current.

(Dual channel high efficiency DC-DC , suitable for constant current driving.)



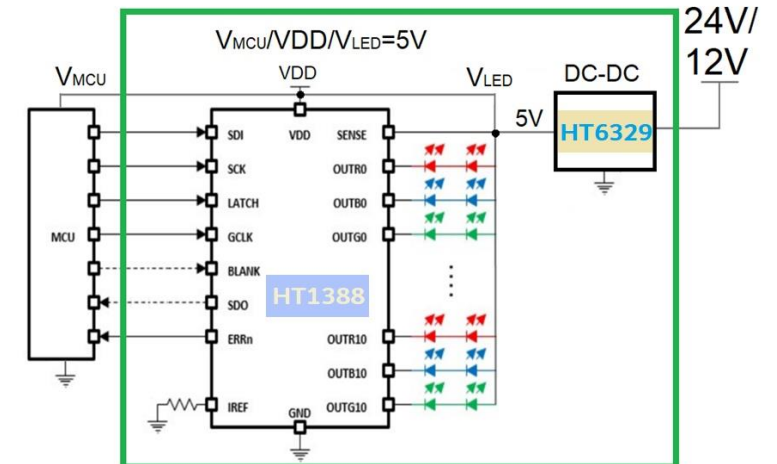
## HT1388

33 channels , internal FET RGB LED driver

- Max. output power 5V-30mA.
- High accuracy, typical +/-7% per channel.
- Integrated PWM gray scale generator.
- Support Serial Data Interface Communication from simple 8-bit MCU.
- Sleep mode.

**HT1388**

(33 channels, high accuracy constant current driver. Suitable for RGB ambient lighting.)



# LED Car lamp solutions

## Lighting and Indicator



Car Head Lamp



Car Rear Lamp



Direction Indicator Lamp

Internal Use Only

## Decoration Lamps



Interior ambient light



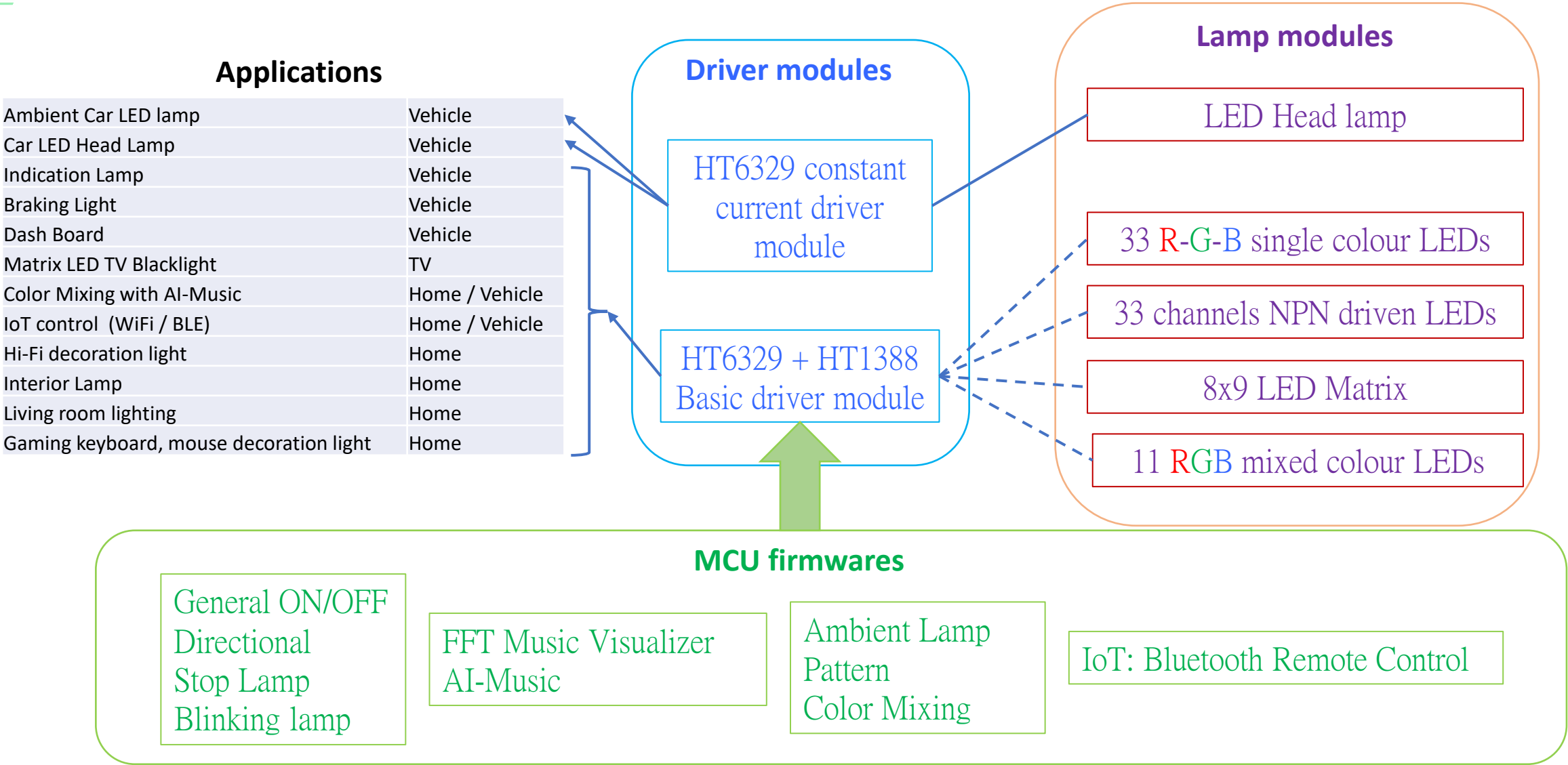
Dashboard back light



Rear through light



# LED Applications options





芯高科技  
HIGH TECH  
TECHNOLOGY LIMITED

# 芯度技術 高度品質

用「芯」為您創出科技高峰  
hightt.com

---

聯絡我們 Contact Us (Hong Kong Office)

Tel: (852) 36195375      Address: Unit 713, 7/F, 12W, 12 Science Park West Avenue,  
Email: httadmin@hightt.com      Hong Kong Science Park, Shatin, Hong Kong

## DISCLAIMER

這個文件內所有信息、產品圖片和顯示內容僅供參考。實際產品功能、成本和規格等（包括但不限於外觀、顏色和尺寸）以及實際顯示內容（包括但不限於背景、UI和圖標）可能會因時間及實際情況有所差異。這個文件內所有數據及比較是在特定情況下對比市面部份同類產品，均為內部實驗室通過特定條件下進行的測試獲得的理論值。如實際充電時間及快充模式兼容性等是可能因客觀環境而變化，所有結果會因此出現差異。由於個別產品、軟件版本、應用條件和環境因素的差異，實際數據可能會有所不同。所有數據因實際使用而有所不同。受條款及細則約束，請參閱上述產品詳細和規格。有關更多信息、文件內容、產品信息、價格等如有更改，恕不另行通知。

All data, images and content in this document are for reference only. Actual function, cost and specification etc. (included but not limited to appearance, color and size) as well as content shown (included but not limited to background, UI and icons) may be subjected to changes according to time and actual situation. All data included in this document are compared with market products under specific circumstances. Theoretical values were attained by test under specific conditions at internal laboratory. For example, actual charging time and compatibility of Fast Charging Protocol are subjected to changes under different conditions, thus may leading to differ in results. Different software updates, application conditions and environment factor in individual product may lead to differ in experimental results. All data may differ from actual application and subjected to terms and conditions, please refer to details and specifications herein. We reserve the right to make changes at any time, of any products or specifications herein, without further notice.