

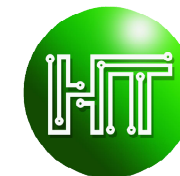
# HTT USB-C 應用簡要對比

## DISCLAIMER

這個文件內所有信息、產品圖片和顯示內容僅供參考。實際產品功能、成本和規格等（包括但不限於外觀、顏色和尺寸）以及實際顯示內容（包括但不限於背景、UI和圖標）可能會因時間及實際情況有所差異。這個文件內所有數據及比較是在特定情況下對比市面部份同類產品，均為內部實驗室通過特定條件下進行的測試獲得的理論值，如實際充電時間及快充模式兼容性等是可能因客觀環境而變化，所有結果會因此出現差異。由於個別產品、軟件版本、應用條件和環境因素的差異，實際數據可能會有不同。所有數據因實際使用而有所不同。受條款及細則約束，請參閱上述產品詳細和規格。有關更多信息、文件內容、產品信息、價格等如有更改，恕不另行通知。

All data, images and content in this document are for reference only. Actual function, cost and specification etc. (included but not limited to appearance, color and size) as well as content shown (included but not limited to background, UI and icons) may be subjected to changes according to time and actual situation. All data included in this document are compared with market products under specific circumstances. Theoretical values were attained by test under specific conditions at internal laboratory. For example, actual charging time and compatibility of Fast Charging Protocol are subjected to changes under different conditions, thus may leading to differ in results. Different software updates, application conditions and environment factor in individual product may lead to differ in experimental results. All data may differ from actual application and subjected to terms and conditions, please refer to details and specifications herein. We reserve the right to make changes at any time, of any products or specifications herein, without further notice.

# HTT DC-DC 外置FET



芯高科技  
HIGH TECH  
TECHNOLOGY LIMITED

	HT3328	HT6329	HT6122
IC內含兩個DC-DC	✓	✓	✓
I <sup>2</sup> C 可編程, 數位控制	✓	✗	✗
可合併兩個輸出頻道	✗	✓	✗
內置QC3.0/BC1.2 協議	✗	✗	✓

## DISCLAIMER

這個文件內所有信息、產品圖片和顯示內容僅供參考。實際產品功能、成本和規格等（包括但不限於外觀、顏色和尺寸）以及實際顯示內容（包括但不限於背景、UI和圖標）可能會因時間及實際情況有所差異。這個文件內所有數據及比較是在特定情況下對比市面部份同類產品，均為內部實驗室通過特定條件下進行的測試獲得的理論值，如實際充電時間及快充模式兼容性等是可能因客觀環境而變化，所有結果會因此出現差異。由於個別產品、軟件版本、應用條件和環境因素的差異，實際數據可能會有不同。受條款及細則約束，請參閱上述產品詳細和規格。有關更多信息、文件內容、產品信息、價格等如有更改，恕不另行通知。  
All data, images and content in this document are for reference only. Actual function, cost and specification etc. (included but not limited to appearance, color and size) as well as content shown (included but not limited to background, UI and icons) may be subjected to changes according to time and actual situation. All data included in this document are compared with market products under specific circumstances. Theoretical values were attained by test under specific conditions at internal laboratory. For example, actual charging time and compatibility of Fast Charging Protocol are subjected to changes under different conditions, thus may leading to differ in results. Different software updates, application conditions and environment factor in individual product may lead to differ in experimental results. All data may differ from actual application and subjected to terms and conditions, please refer to details and specifications herein. We reserve the right to make changes at any time, of any products or specifications herein, without further notice.

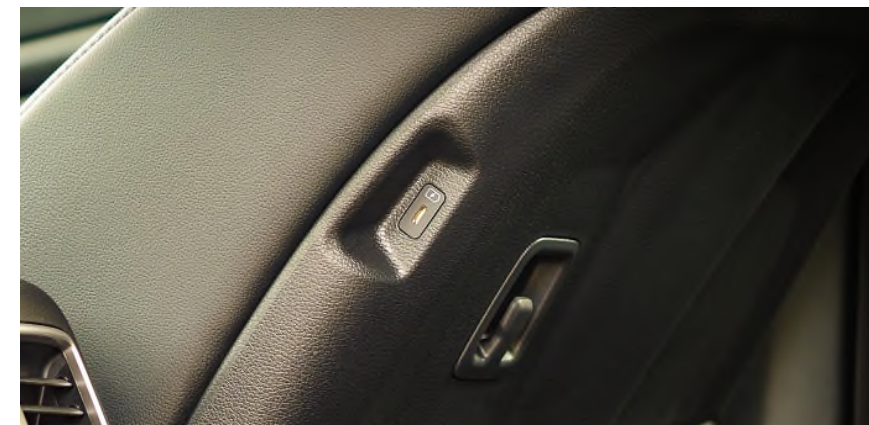




芯高科技  
HIGH TECH  
TECHNOLOGY LIMITED

# 車用充電方案

## HTT 充電模塊



### DISCLAIMER

這個文件內所有信息、產品圖片和顯示內容僅供參考。實際產品功能、成本和規格等（包括但不限於外觀、顏色和尺寸）以及實際顯示內容（包括但不限於背景、UI和圖標）可能會因時間及實際情況有所差異。這個文件內所有數據及比較是在特定情況下對比市面部份同類產品，均為內部實驗室通過特定條件下進行的測試獲得的理論值，如實際充電時間及快充模式兼容性等是可能因客觀環境而變化，所有結果會因此出現差異。由於個別產品、軟件版本、應用條件和環境因素的差異，實際數據可能會有不同。所有數據因實際使用而有所不同。受條款及細則約束，請參閱上述產品詳細和規格。有關更多信息、文件內容、產品信息、價格等如有更改，恕不另行通知。

All data, images and content in this document are for reference only. Actual function, cost and specification etc. (included but not limited to appearance, color and size) as well as content shown (included but not limited to background, UI and icons) may be subjected to changes according to time and actual situation. All data included in this document are compared with market products under specific circumstances. Theoretical values were attained by test under specific conditions at internal laboratory. For example, actual charging time and compatibility of Fast Charging Protocol are subjected to changes under different conditions, thus may leading to differ in results. Different software updates, application conditions and environment factor in individual product may lead to differ in experimental results. All data may differ from actual application and subjected to terms and conditions, please refer to details and specifications herein. We reserve the right to make changes at any time, of any products or specifications herein, without further notice.

# HTT DC充電模塊

	HTT
	充電模塊 <sup>[1]</sup>
IC內DC-DC數量	2
DC-DC類型	降壓
輸入電壓範圍 <sup>[2]</sup>	5V to 36V
輸出電壓範圍	$V_{in}$ (當前輸入電壓) - 1V
輸出電流範圍	<u>max 5A</u>
開關頻率範圍 (KHz)	150/250/350
最大輸出功率 <sup>[3]</sup>	100W

	HTT
	充電模塊 <sup>[1]</sup>
2個輸出頻道	✓
AEC-Q100 認證 <sup>[4]</sup>	✓
快充	✓
輸入電流電壓保護	✓
輸出電壓電流保護	✓

[1]. HTT 充電模塊的資料在原理圖中會有更詳細的解釋。

[2]. 建議輸入電壓為21V到24V之間，相比9~16V輸入電壓，高電壓(20V)輸出時的效率就可以提高3~5%。

[3]. HTT 的充電模組只有降壓功能。故當輸入電壓為15V一下的時候，無法給到全功率的充電速度，以此類推。使用建議輸入電壓供電可全功率輸出。

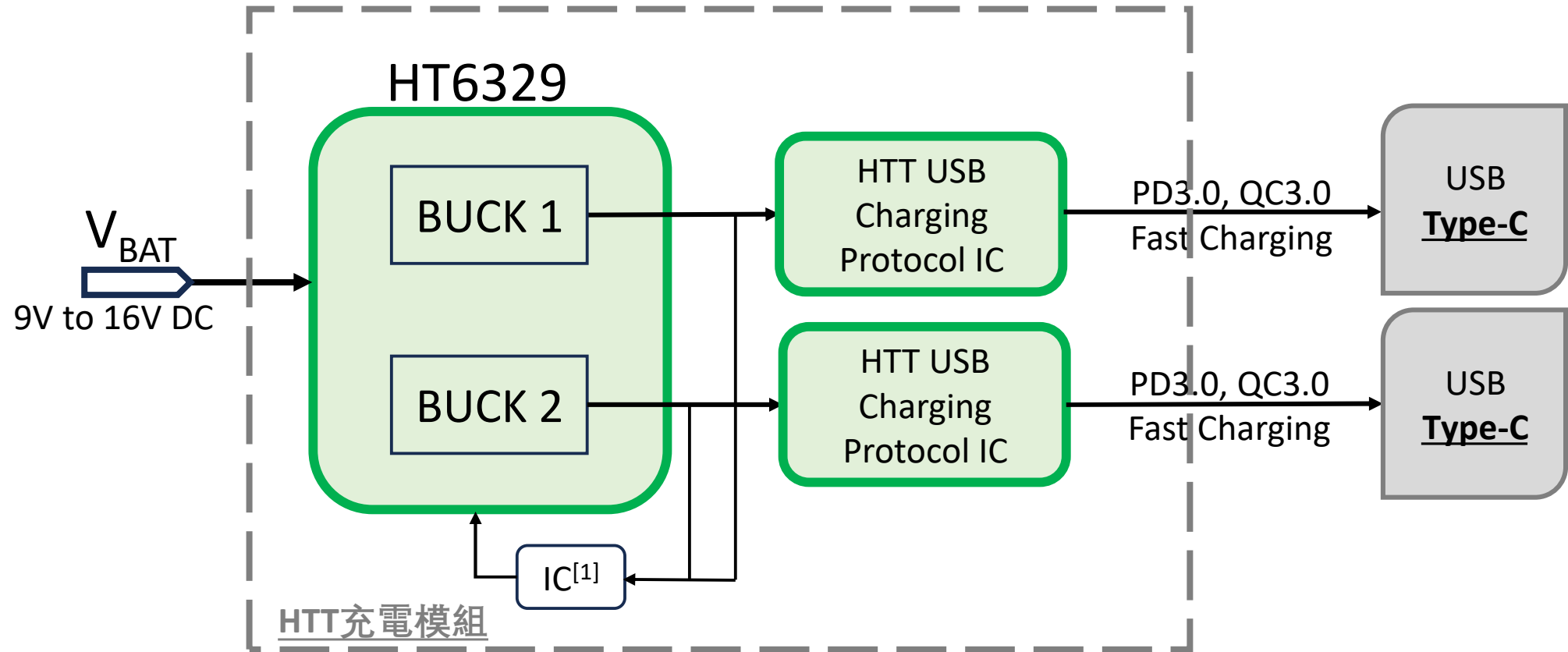
[4]. HTT的IC正在AEC-Q100認證過程中。

## DISCLAIMER

這個文件內所有信息、產品圖片和顯示內容僅供參考。實際產品功能、成本和規格等（包括但不限於外觀、顏色和尺寸）以及實際顯示內容（包括但不限於背景、UI和圖標）可能會因時間及實際情況有所差異。這個文件內所有數據及比較是在特定情況下對比市面部份同類產品，均為內部實驗室通過特定條件下進行的測試獲得的理論值，如實際充電時間及快充模式兼容性等是可能因客觀環境而變化，所有結果會因此出現差異。由於個別產品、軟件版本、應用條件和環境因素的差異，實際數據可能會有不同。受條款及細則約束，請參閱上述產品詳細和規格。有關更多信息、文件內容、產品信息、價格等如有更改，恕不另行通知。

All data, images and content in this document are for reference only. Actual function, cost and specification etc. (included but not limited to appearance, color and size) as well as content shown (included but not limited to background, UI and icons) may be subjected to changes according to time and actual situation. All data included in this document are compared with market products under specific circumstances. Theoretical values were attained by test under specific conditions at internal laboratory. For example, actual charging time and compatibility of Fast Charging Protocol are subjected to changes under different conditions, thus may leading to differ in results. Different software updates, application conditions and environment factor in individual product may lead to differ in experimental results. All data may differ from actual application and subjected to terms and conditions, please refer to details and specifications herein. We reserve the right to make changes at any time, of any products or specifications herein, without further notice.

# HTT 充電模塊——雙USB Type-C



[1]. 可使用IC在輕負載下提供高效率性能。

## DISCLAIMER

這個文件內所有信息、產品圖片和顯示內容僅供參考。實際產品功能、成本和規格等（包括但不限於外觀、顏色和尺寸）以及實際顯示內容（包括但不限於背景、UI和圖標）可能會因時間及實際情況有所差異。這個文件內所有數據及比較是在特定情況下對比市面部份同類產品，均為內部實驗室通過特定條件下進行的測試獲得的理論值，如實際充電時間及快充模式兼容性等是可能因客觀環境而變化，所有結果會因此出現差異。由於個別產品、軟件版本、應用條件和環境因素的差異，實際數據可能會有不同。受條款及細則約束，請參閱上述產品詳細和規格。有關更多信息、文件內容、產品信息、價格等如有更改，恕不另行通知。  
All data, images and content in this document are for reference only. Actual function, cost and specification etc. (included but not limited to appearance, color and size) as well as content shown (included but not limited to background, UI and icons) may be subjected to changes according to time and actual situation. All data included in this document are compared with market products under specific circumstances. Theoretical values were attained by test under specific conditions at internal laboratory. For example, actual charging time and compatibility of Fast Charging Protocol are subjected to changes under different conditions, thus may leading to differ in results. Different software updates, application conditions and environment factor in individual product may lead to differ in experimental results. All data may differ from actual application and subjected to terms and conditions, please refer to details and specifications herein. We reserve the right to make changes at any time, of any products or specifications herein, without further notice.

# HTT DC-DC 充電模組總結

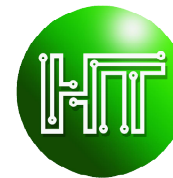


## • HTT的供電模組：

1. 我們的芯片同時擁有兩個輸出頻道。「雙機雙快充，生活更輕鬆」
2. 在充電頭只有一個Type-C輸出通道的時候，我們平均每輸出通道的價格，比CH-25模組，優惠20%。
3. 當充電頭有兩個Type-C輸出的時候，HTT充電模組的價格比CH-25模組優惠30-40%。
4. 使用較少的空間就可同時對兩個電子產品充電 📱、供電 ⚡。
5. \*提供100W\*（例如65W+35W）的輸出功率，使用家可以享受雙通道快充。
6. 充電模組擁有多種不同的快速充電協議，可滿足不同客戶的需求。
7. 建議客戶使用21~24V的電源供電，
  1. 對notebook 應用，尤為有優勢
  2. 用電時更為穩定，效率也更高（一般高3~5%）
8. 同時也可以提供出更大的power, 如100W。
9. 充電模組擁有多重保護機制。
10. 對輸入和輸出的電流、電壓作出保護，對溫度進行控制。

## DISCLAIMER

這個文件內所有信息、產品圖片和顯示內容僅供參考。實際產品功能、成本和規格等（包括但不限於外觀、顏色和尺寸）以及實際顯示內容（包括但不限於背景、UI和圖標）可能會因時間及實際情況有所差異。這個文件內所有數據及比較是在特定情況下對比市面部份同類產品，均為內部實驗室通過特定條件下進行的測試獲得的理論值，如實際充電時間及快充模式兼容性等是可能因客觀環境而變化，所有結果會因此出現差異。由於個別產品、軟件版本、應用條件和環境因素的差異，實際數據可能會有不同。所有數據因實際使用而有所不同。受條款及細則約束，請參閱上述產品詳細規格。有關更多信息、文件內容、產品信息、價格等如有更改，恕不另行通知。  
All data, images and content in this document are for reference only. Actual function, cost and specification etc. (included but not limited to appearance, color and size) as well as content shown (included but not limited to background, UI and icons) may be subjected to changes according to time and actual situation. All data included in this document are compared with market products under specific circumstances. Theoretical values were attained by test under specific conditions at internal laboratory. For example, actual charging time and compatibility of Fast Charging Protocol are subjected to changes under different conditions, thus may leading to differ in results. Different software updates, application conditions and environment factor in individual product may lead to differ in experimental results. All data may differ from actual application and subjected to terms and conditions, please refer to details and specifications herein. We reserve the right to make changes at any time, of any products or specifications herein, without further notice.



芯高科技  
HIGH TECH  
TECHNOLOGY LIMITED

# 芯度技術 高度品質

用「芯」爲您創出科技高峰  
hightt.com

聯絡我們 Contact Us (Hong Kong Office)

Tel: (852) 36195375  
Email: [httadmin@hightt.com](mailto:httadmin@hightt.com)  
Web: [www.hightt.com](http://www.hightt.com)

Address: Unit 713, 7/F, 12W, 12 Science Park West Avenue,  
Hong Kong Science Park, Shatin, Hong Kong

## DISCLAIMER

這個文件內所有信息、產品圖片和顯示內容僅供參考。實際產品功能、成本和規格等（包括但不限於外觀、顏色和尺寸）以及實際顯示內容（包括但不限於背景、UI和圖標）可能會因時間及實際情況有所差異。這個文件內所有數據及比較是在特定情況下對比市面部份同類產品，均為內部實驗室通過特定條件下進行的測試獲得的理論值，如實際充電時間及快充模式兼容性等是可能因客觀環境而變化，所有結果會因此出現差異。由於個別產品、軟件版本、應用條件和環境因素的差異，實際數據可能會有不同。所有數據因實際使用而有所不同。受條款及細則約束，請參閱上述產品詳細和規格。有關更多信息、文件內容、產品信息、價格等如有更改，恕不另行通知。

All data, images and content in this document are for reference only. Actual function, cost and specification etc. (included but not limited to appearance, color and size) as well as content shown (included but not limited to background, UI and icons) may be subjected to changes according to time and actual situation. All data included in this document are compared with market products under specific circumstances. Theoretical values were attained by test under specific conditions at internal laboratory. For example, actual charging time and compatibility of Fast Charging Protocol are subjected to changes under different conditions, thus may leading to differ in results. Different software updates, application conditions and environment factor in individual product may lead to differ in experimental results. All data may differ from actual application and subjected to terms and conditions, please refer to details and specifications herein. We reserve the right to make changes at any time, of any products or specifications herein, without further notice.