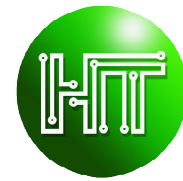


Front / Rear signal lamps

HTT IC used : HT1388 and HT6329

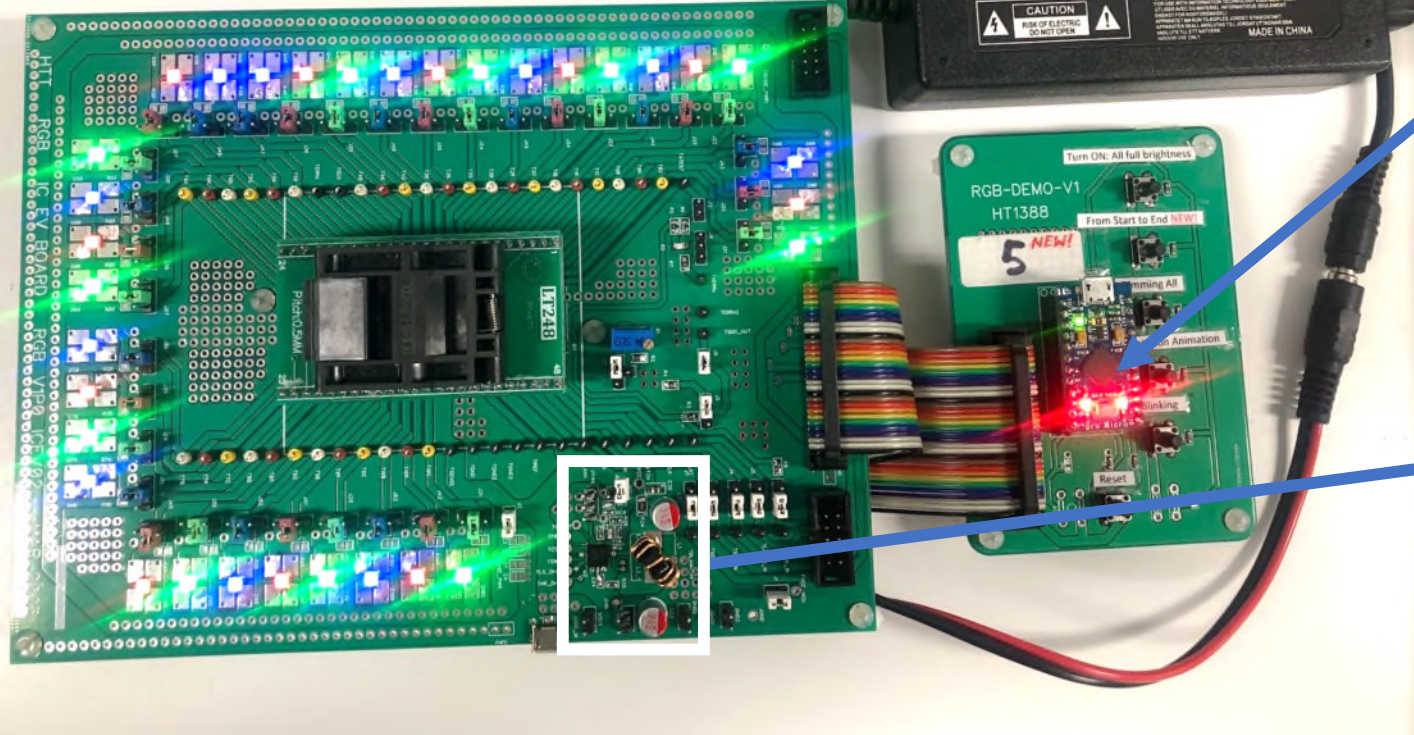
HT6329+HT1388 Basic Driver module [To content](#)



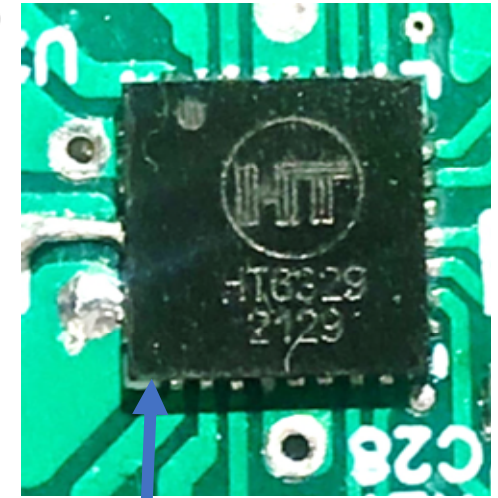
芯高科技
HIGH TECH
TECHNOLOGY LIMITED

24V/12V
supply

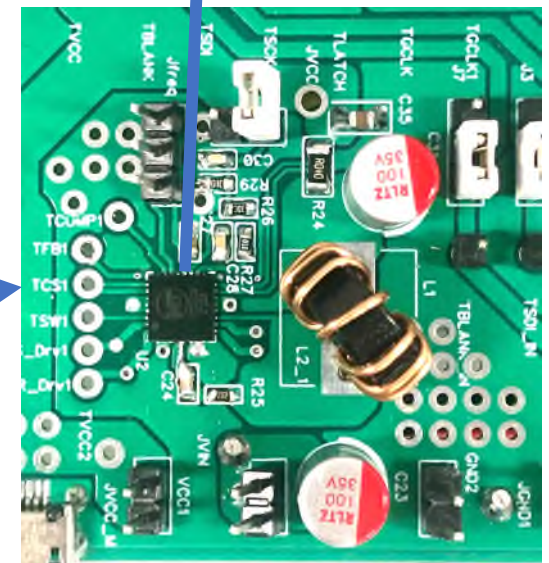
HT6329 + HT1388 driver board



HT6329



MCU



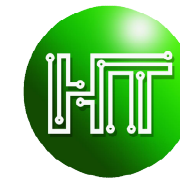
Internal Use Only



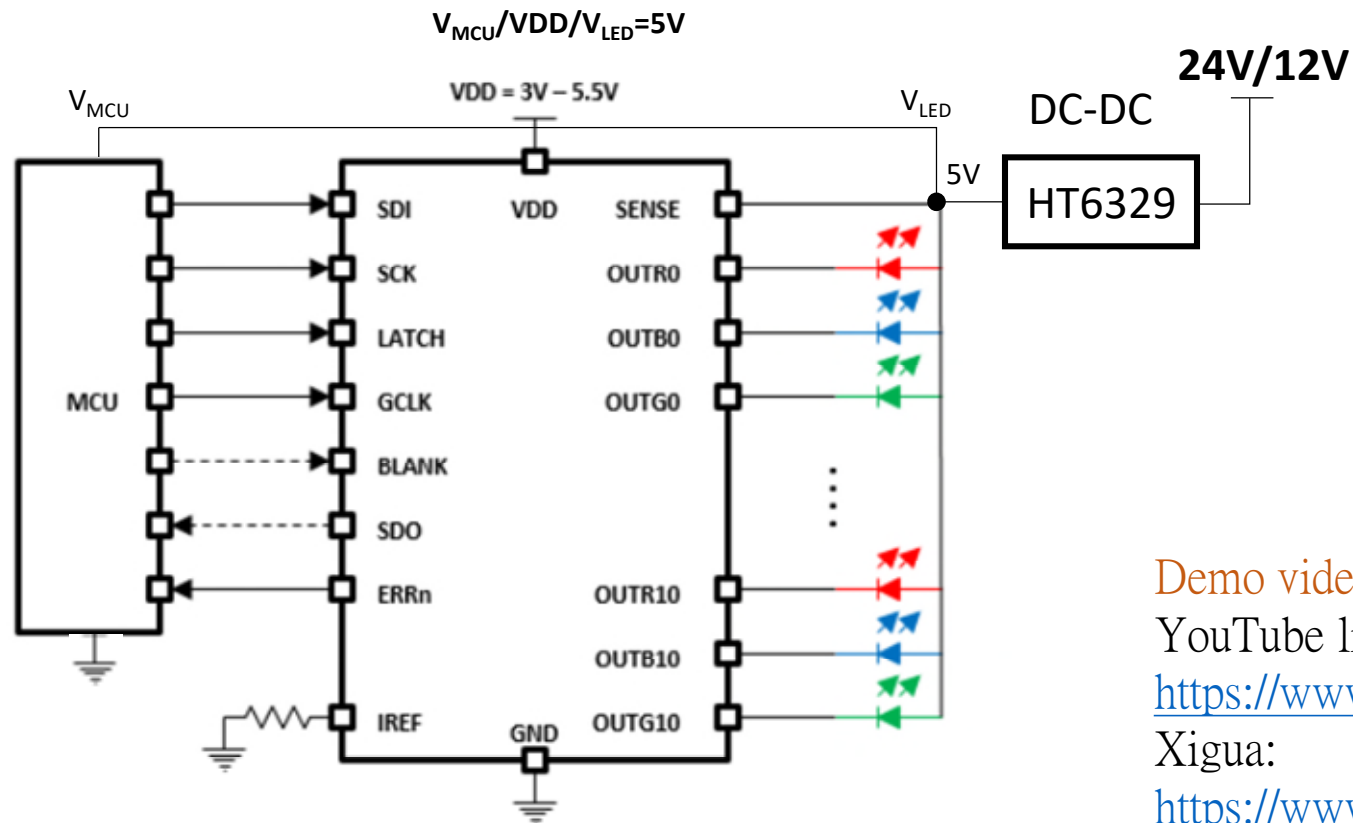
HTT reference design 1 (LEDs driven by constant current)

Front / Rear signal lamp design spec. (LEDs driven by constant current)

	Power Management	Lighting control
HTT IC part	HT6329	HT1388
Input voltage	DC 12V - 24V	DC 3V - 5V
output	Dual channel	33 channels
Output voltage	5V - 12V	5V
Output current	3A per channel	The maximum output current per channel is 30-40mA. For higher output currents, a maximum of 60mA can be achieved via combining two adjacent channels.
Demo board	HT6329+HT1388 basic driver module, connect to 33 R-G-B single colour LEDs .	
Hardware features	1) Up to 33 channels can be driven at currents of 30mA or less. 2) With 40mA current, it can drive 18~25 channels. 3) Combining 2 adjacent channels to drive 16 channels at 60mA. 4) One HT6329 can be connected to up to 3 or more HT1388 demo boards to drive more LEDs.	
Software features	Lighting patterns : rotational / directional indication / blinking. User-programmable.	



HTT reference design (LEDs driven by constant current)



Demo video

YouTube link:

https://www.youtube.com/watch?v=l_gkj6RiO-0

Xigua:

<https://www.ixigua.com/7229518701832340027?logTag=9cbc5f10f88e6869c389>

HT138 application block diagram
(Max. driving current 30-40mA, max. 33 output channels)

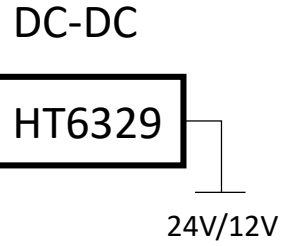
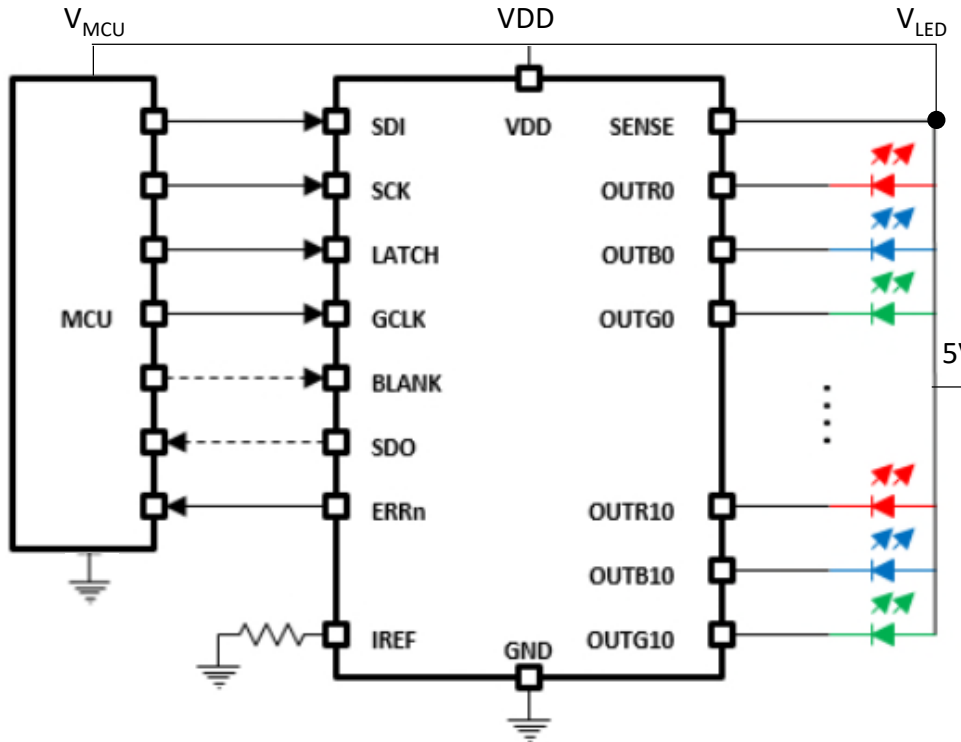
Connect multiple HT1388 demo boards in parallel drive more LEDs

To content

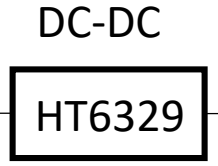
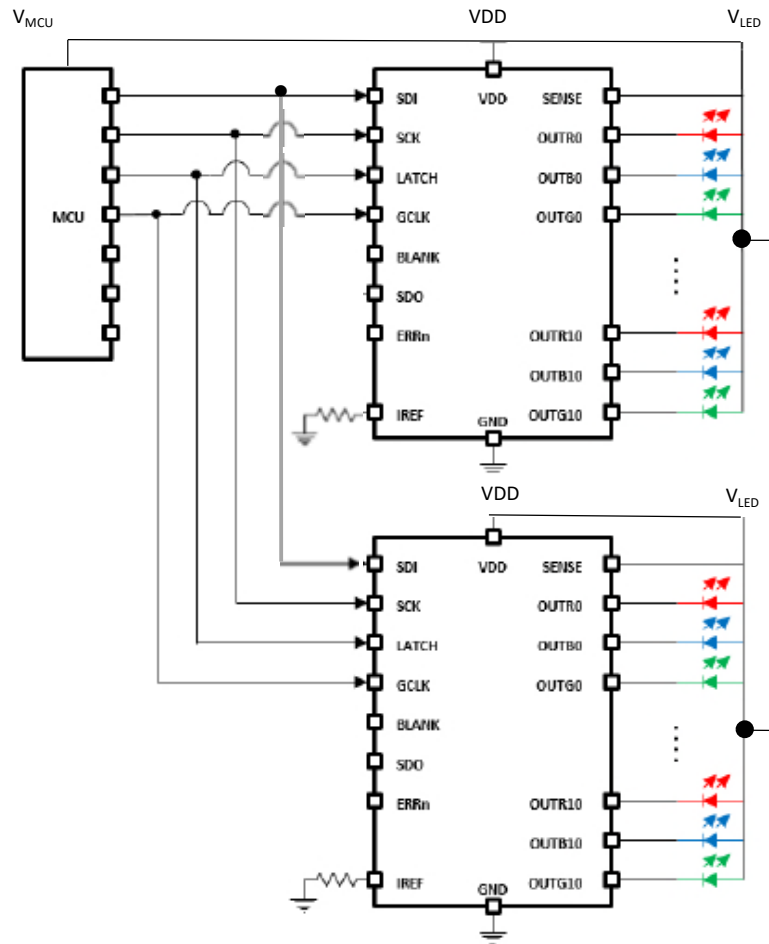


芯高科技
HIGH TECH
TECHNOLOGY LIMITED

$$V_{MCU}/V_{DD}/V_{LED}=5V$$



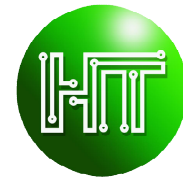
$$V_{MCU}/V_{DD}/V_{LED}=5V$$



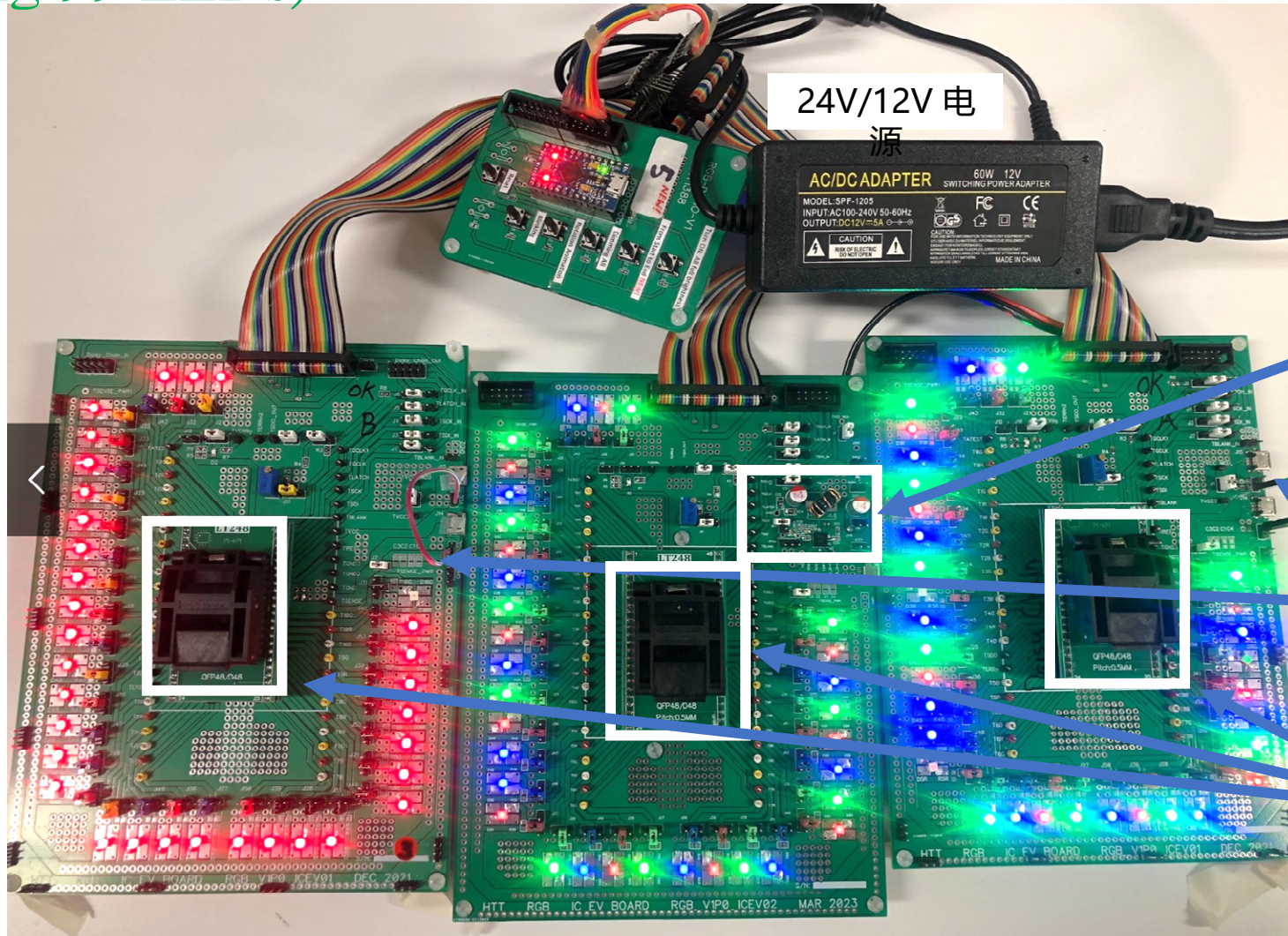
Multiple boards connected in parallel

3 HT1388 Demo boards connect in parallel [To content](#)

(driving 99 LEDs)



芯高科技
HIGH TECH
TECHNOLOGY LIMITED



24V/12V 电源

AC/DC ADAPTER 60W 12V SWITCHING POWER ADAPTER
MODEL:SPF-1205
INPUT:AC100-240V 50-60Hz
OUTPUT:DC12V 5A
CAUTION
MADE IN CHINA

Driven by HT6329

VLED/SENSE connect to VCC

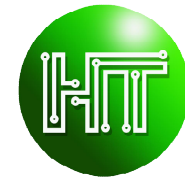
HT1388

Board 2

HT1388 + HT6329 main board 1

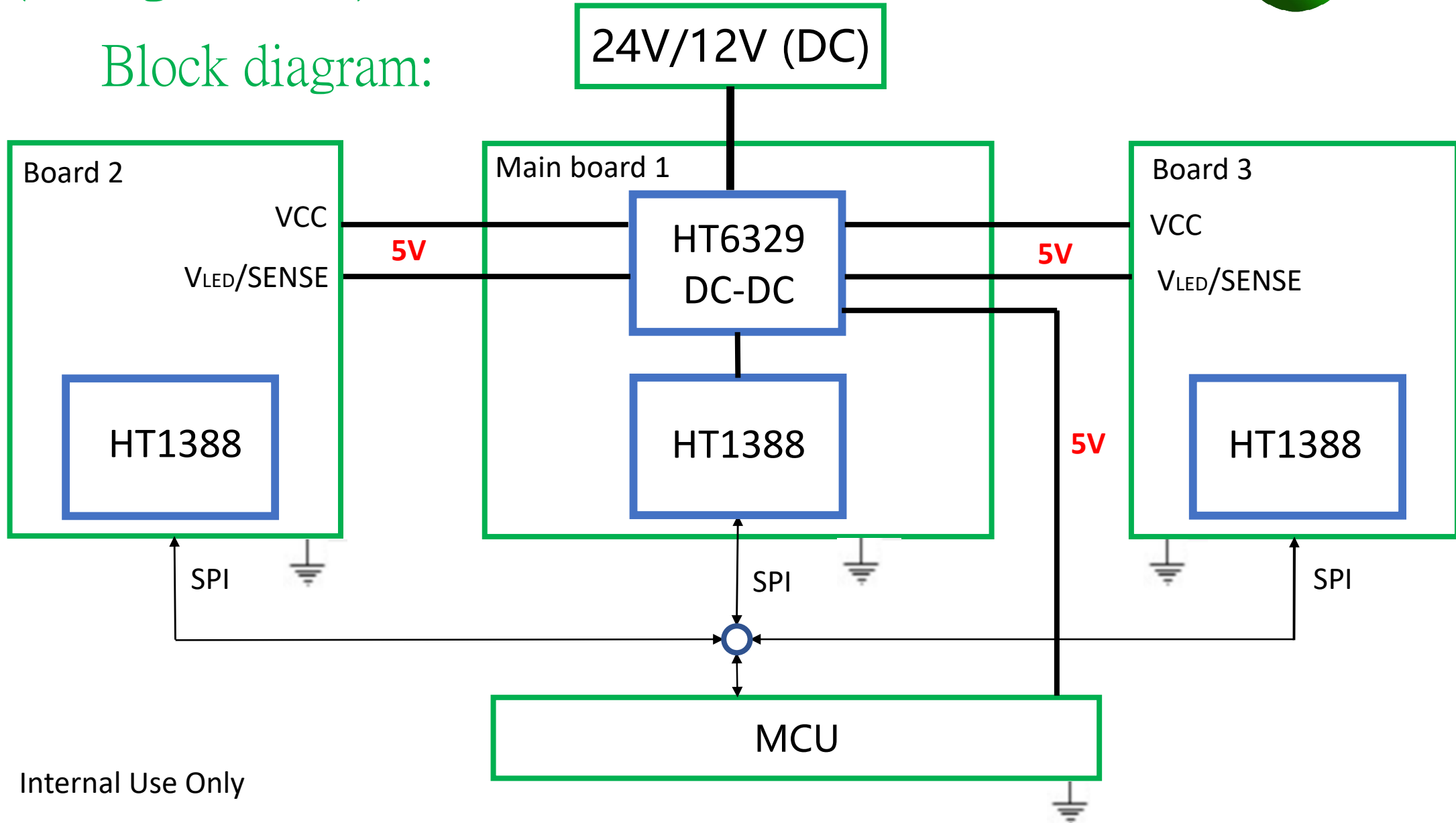
Board 3

3 HT1388 Demo boards connect in parallel [To content](#) (driving 99 LEDs)



芯高科技
HIGH TECH
TECHNOLOGY LIMITED

Block diagram:

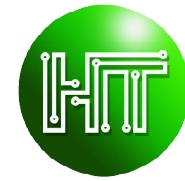


Internal Use Only

HTT solution comparison

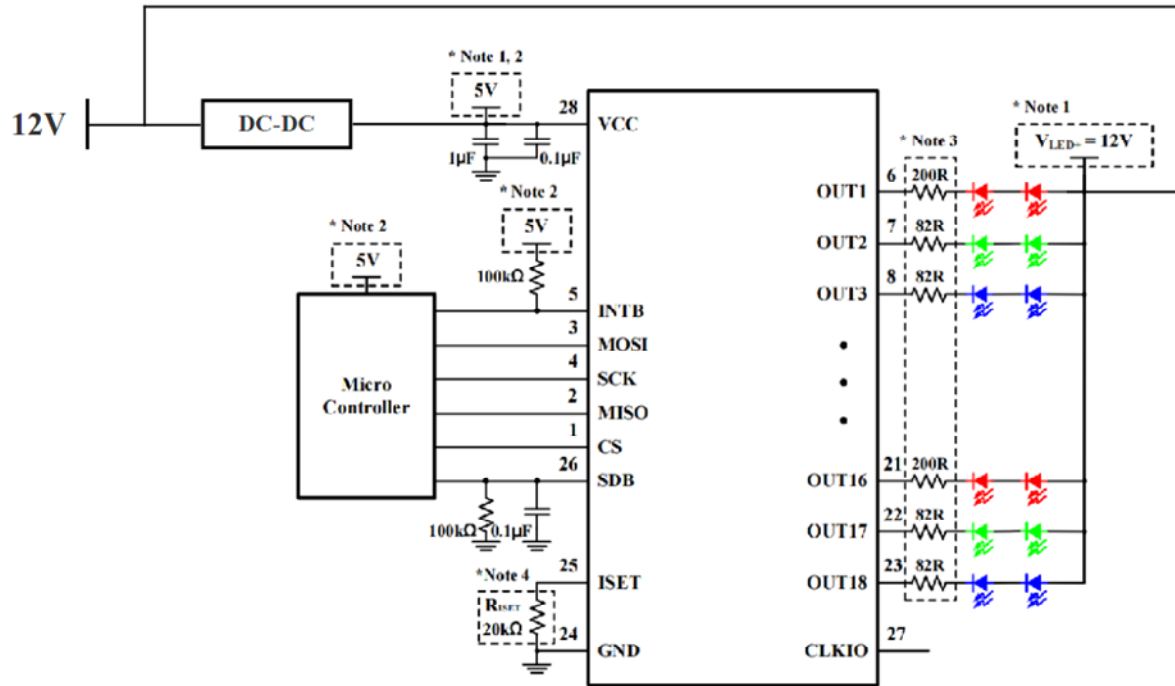
(LEDs driven by constant current)

[To content](#)

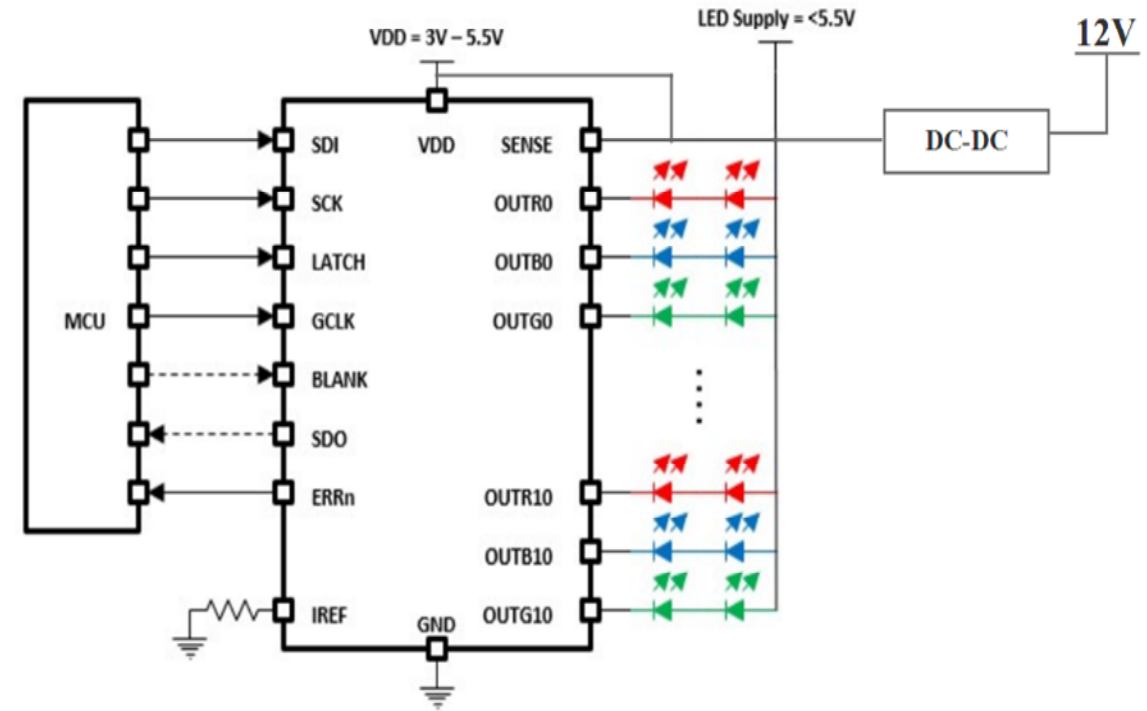


芯高科技
HIGH TECH
TECHNOLOGY LIMITED

model	Others	High Tech, HTT HT1388
capability	Max. output current 60mA Driving 18 LEDs	Option1: output current 30mA, can drive 33 LEDs Option2: combine two adjacent channels to give 60mA output current, can drive 16 LEDs



other applications block diagram
(Max. output current 60mA, driving 18 channels)



HT1388 applications block diagram
(Max. output current 30mA, driving 33 channels)



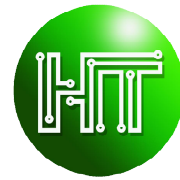
HTT reference design 2 (LEDs driven by NPN transistors)

Front/rear lamp demo specifications (LEDs driven by NPN transistors)

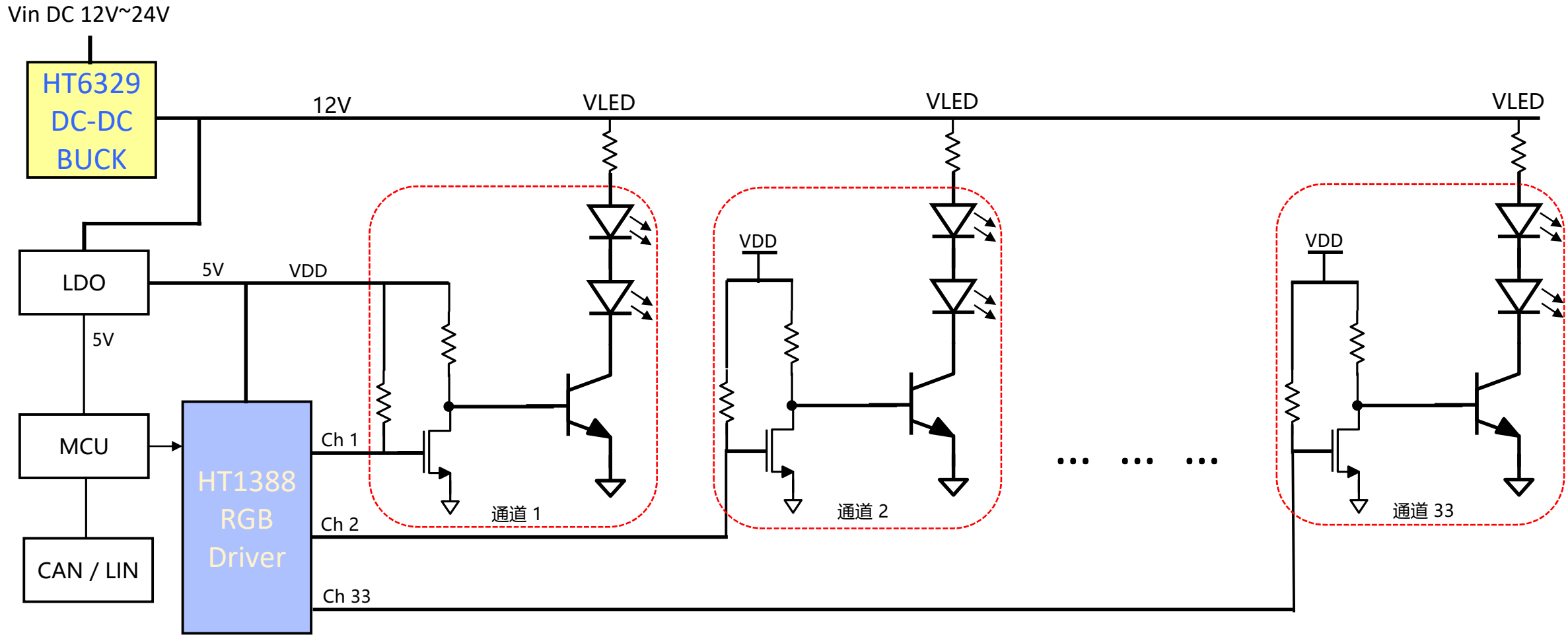
	Power Management	Lighting control
HTT IC part	HT6329	HT1388
Input voltage	DC 12V - 24V	DC 3V - 5V
Output	Dual channel	33 channels
Output voltage	5V - 12V	5V
Output current	3A per channel	30mA per channel
Demo board	HT6329+HT1388 basic driver module , connect to 33 channels NPN driven LEDs.	
Hardware features	1) One MCU can drive several HT1388, each HTT chip can drive 33 channels, and each channel can independently control LED on/off and PWM dimming. 2) Each channel output will drive a transistor e.g 2N7002 as an adjustment to the HT1388 output. 3) One HT6329 can connect up to 3 or more HT1388 demo boards to drive more LEDs.	
Software features	Lighting patterns : rotational / directional indication / blinking. User-programmable.	

HTT reference design (LEDs driven by NPN transistors)

To content



芯高科技
HIGH TECH
TECHNOLOGY LIMITED



HTT solution: Each HT1388 can drive 33 channels. Each channel can be turned on/off or PWM dimming controlled separately.

Internal Use Only



芯高科技
HIGH TECH
TECHNOLOGY LIMITED

[To content](#)

芯度技術 高度品質

用「芯」為您創出科技高峰
hightt.com

聯絡我們 Contact Us (Hong Kong Office)

Tel: (852) 36195375 Address: Unit 713, 7/F, 12W, 12 Science Park West Avenue,
Email: httadmin@hightt.com Hong Kong Science Park, Shatin, Hong Kong

DISCLAIMER

這個文件內所有信息、產品圖片和顯示內容僅供參考。實際產品功能、成本和規格等（包括但不限於外觀、顏色和尺寸）以及實際顯示內容（包括但不限於背景、UI和圖標）可能會因時間及實際情況有所差異。這個文件內所有數據及比較是在特定情況下對比市面部份同類產品，均為內部實驗室通過特定條件下進行的測試獲得的理論值，如實際充電時間及快充模式兼容性等是可能因客觀環境而變化，所有結果會因此出現差異。由於個別產品、軟件版本、應用條件和環境因素的差異，實際數據可能會有不同。所有數據因實際使用而有所不同。受條款及細則約束，請參閱上述產品詳細和規格。有關更多信息、文件內容、產品信息、價格等如有更改，恕不另行通知。
All data, images and content in this document are for reference only. Actual function, cost and specification etc. (included but not limited to appearance, color and size) as well as content shown (included but not limited to background, UI and icons) may be subjected to changes according to time and actual situation. All data included in this document are compared with market products under specific circumstances. Theoretical values were attained by test under specific conditions at internal laboratory. For example, actual charging time and compatibility of Fast Charging Protocol are subjected to changes under different conditions, thus may leading to differ in results. Different software updates, application conditions and environment factor in individual product may lead to differ in experimental results. All data may differ from actual application and subjected to terms and conditions, please refer to details and specifications herein. We reserve the right to make changes at any time, of any products or specifications herein, without further notice.